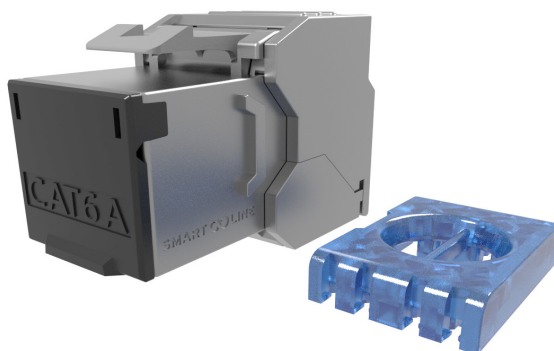


SHIELDED KEYSTONE JACK

CAT 6/6A LINK & COMPONENT

ref : RJ45FTP6xxx / RJ45FTP6Axxx

- Unique exterior design, simple, and compact
- Quick and easy connection without tools
- Comply with Class E & Class Ea up to 250MHz & 500MHz



APPLICATION

CAT 6 & CAT 6A performance requirements comply with 10 Gigabit Ethernet application system, suitable for connection between the floor distribution to the outlet of the working area, providing up to 250MHz & 500MHz available bandwidth.

Comply with ergonomic principle and with termination-free design

Unique PCB board design reduces EMI/RFI interference, low insertion loss and high return loss

Easy installation with clear colored labels on termination cap

TESTING STANDARDS

Normes	TIA/EIA-568-D ISO/IEC 11801 Ed.3 DIN EN 50173-1:2011-09 IEC 60603-7-51 Ed.1
	PoE per IEEE 802.3af, PoE+ per IEEE 802.3at

ENVIRONMENT

Environmental performances	Storage Temperature: -40°C to +85°C Operation Temperature: -40°C to +85°C
----------------------------	--

PERFORMANCES

MECHANICAL	Housing Material: Zinc Alloy / UL94V-0 Contact Material: Bronze + Phosphor IDC Material: Bronze, Platine, Ni+Au PCB Board Material: FR-4 Solid and Flexible Wires: AWG26 ~ AWG23 Max. Insulation Diameter: 1.3 mm Max. Cable Diameter: 8.5 mm Min. Insertion Cycle: 1000 times
ELECTRICAL	Max. Contact Resistance: 100 mΩ Max. Input/Output Resistance: 200 mΩ Min. Insulation Resistance: 1000MΩ @ 500V DC Voltage Rating: 125 VAC RMS Current Rating: 1.5 AMP Dielectric Strength: 750 VAC RMS 60Hz @ 1Min

ORDERING INFORMATIONS

CATEGORY	SHIELDING	ITEM NUMBER	DESIGNATION
CAT 6A	FTP	RJ45FTP6ABAG12/24 & BOX96	CAT6A RJ45 MODULAR JACK FULLY SHIELDED

TECHNICAL DRAWING

